

TURBOMOUSSE 3000 - 3000 l/min nozzle at 8 bar with adjustable flow-rate and jet, incorporate suction device for foam compound

DESCRIPTION

The **TURBOMOUSSE 3000** nozzle is intended to equip the outlet of the monitors for a water or foam use.

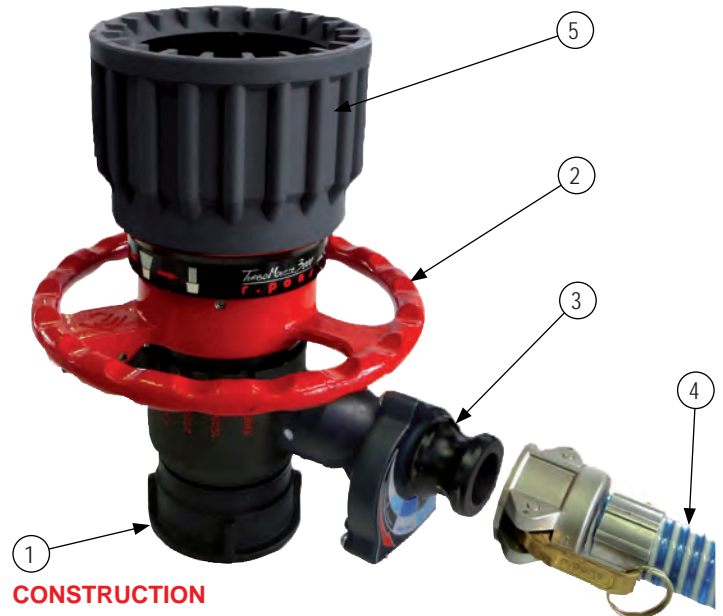
Composed with the following elements :

- A coupling, female threaded G ½ (NF E 03.005) swivelling nut on ball bearing, for connection at the outlet of the monitor (**rep. 1**).
- A hand wheel (**rep. 2**) to select the different flow rate from 1000 l/min to 3000 l/min. Adjustment with lock every 500 l/mn.
- A purging position far from the flow position.
- A knurl (**rep. 3**) to regulate the dosage of the foam compound suction. In accordance with the flow rate and the type of foam compound used : 0%, 3%, 6%.
- A ball anti recoil device.
- A semi-rigid suction transparent hose, 4 meter long, (**rep. 4**), equipped with a coupler ND 1"1/4 at the end and with a suction pipe at the other end.
- A jet selector (**rep. 5**), adjustable from the straight jet position to the diffusion of protection (110°).

Nominal pressure : NP 16.

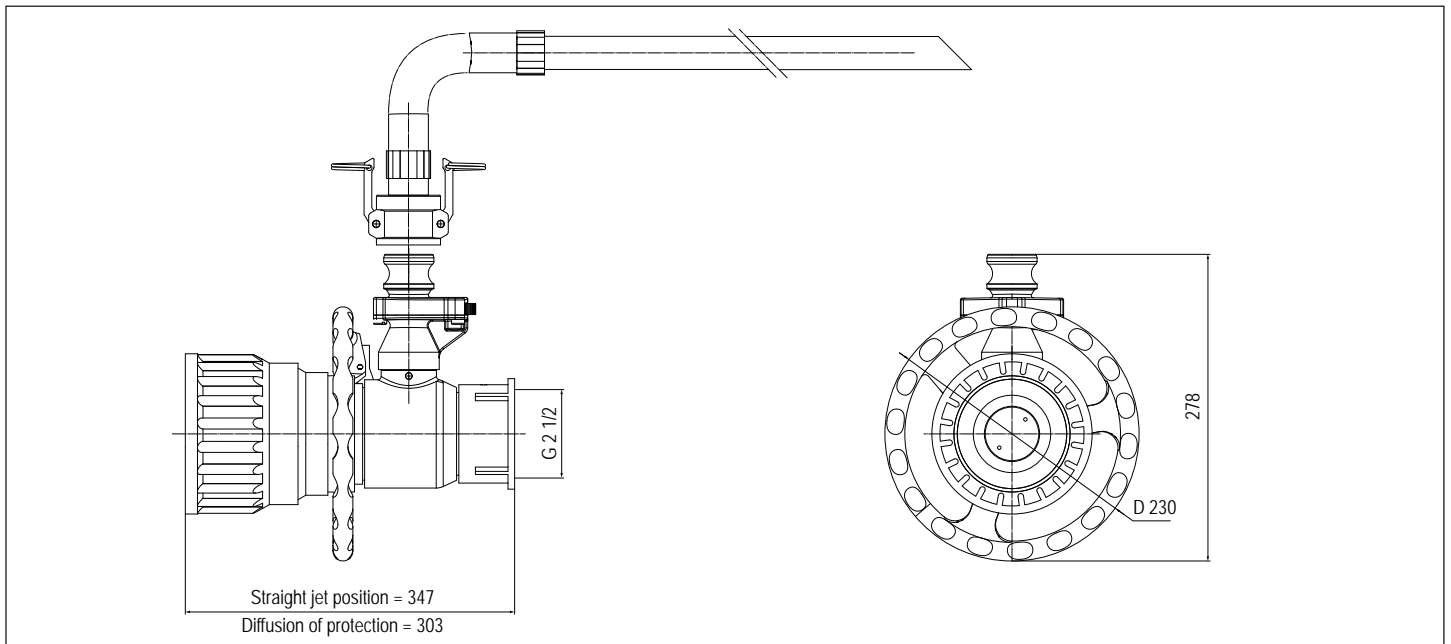
STANDARDS

- NF EN 15767-1 : Portable monitors : General prescriptions.
- NF EN 15767-2 : Portable monitors : Water diffusion devices.
- NF EN 15767-3 : Portable monitors : Foam devices.



CONSTRUCTION

Aluminum alloys of first fusion with heat treatment and protected against corrosion by black hard anodization and red fire plasticization. Head of the nozzle in moulded synthetic rubber to protect it against shocks.



CHARACTERISTICS AND PERFORMANCES

Part number : **3047.526M**

Inlet : Female 2 ½

Weight : 7,5 kg

Operating with	Flow-rate l/min	Horizontal throw ranges at 30° (m)								Vertical throw ranges at 80° (m)	
		Straight jet		Diffused at 30°		Diffused at 90°		Diffused at 110°			Straight jet
		length	width	length	width	length	width	length	width		
Water	1000	37	19	4,5	13	6,0	12	8	30		
	2000	54	24	4,5	19	7,4	15	10	39		
	3000	64	32	5,0	26	7,5	18	10	42		
Foam 6%	1000	35	-	-	-	-	-	-	28		
	2000	50	-	-	-	-	-	-	36		

Function range (green parts) at 8 bar

Suction percentage	flow-rates l/min				
	1000	1500	2000	2500	3000
0 %	Green	Green	Green	Green	Green
3 %	Red	Red	Green	Red	Green
6 %	Green	Green	Green	Red	Red